

NELSON™ HEAT TRACING SYSTEMS

LT-T TANK ADAPTER KIT

FOR USE WITH PLT, ALT OR LT CONNECTION KITS

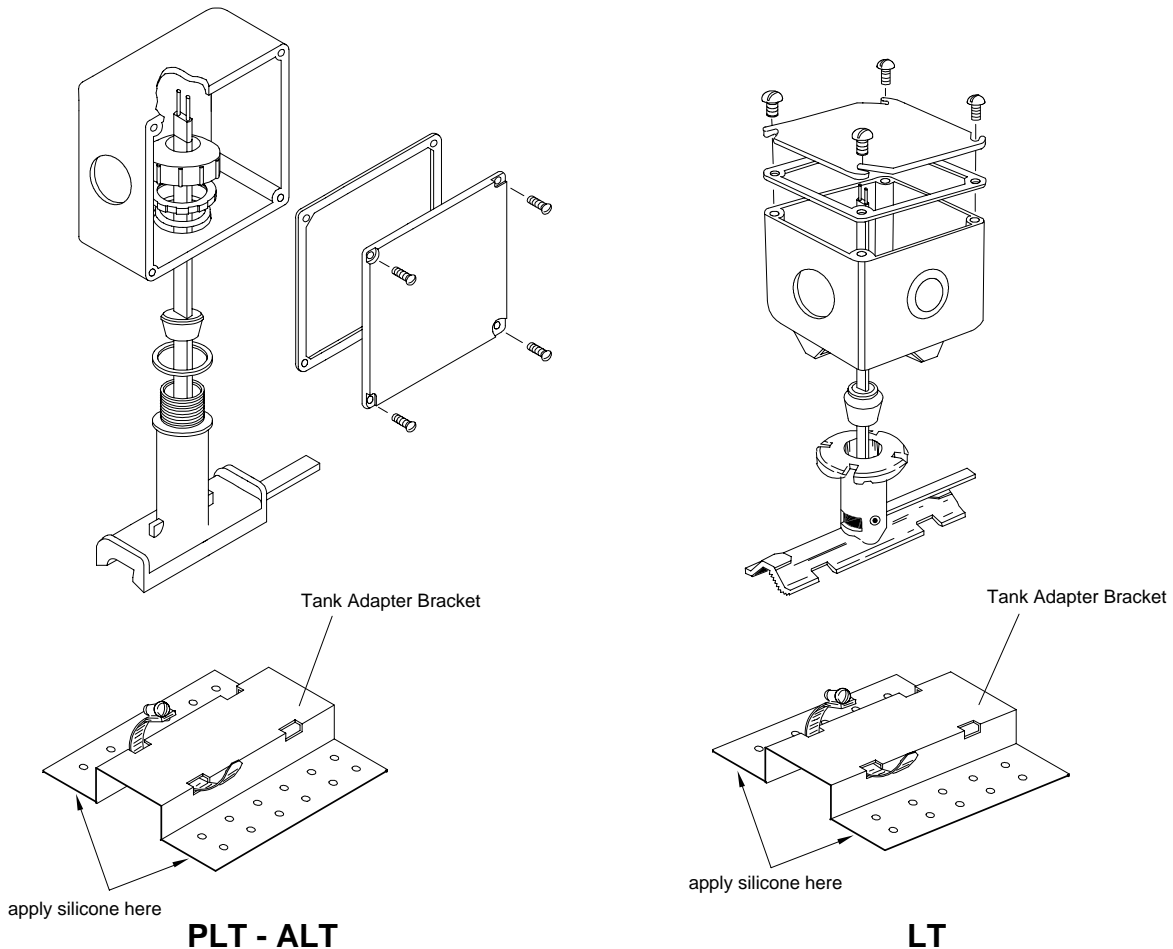
INSTALLATION INSTRUCTIONS

DESCRIPTION

The LT-T Tank Adapter Kit is for use with the PLT, ALT or LT connection kits for mounting on a vessel.

KIT CONTENTS

- 1 Tank Adapter Bracket
- 2 Tubes of Silicone



- ❶ To insure proper mounting of the tank adapter bracket, select a convenient location.
- ❷ Allow at least 457mm (18") of loose heater cable for each tank adapter bracket used.
- ❸ Thoroughly clean mounting surface, approximately 6" sq., so that it is free of all foreign material.
- ❹ Apply (1) tube of silicone to each foot of the tank adapter bracket and firmly press into place.

⚠ WARNING:

Allow 24 hours for silicone to dry before mounting stand-off to the tank adapter bracket.

Nelson Heat Tracing Systems products are supplied with a limited warranty. Complete Terms and Conditions may be found on Nelson's website at www.nelsonheaters.com.